



# LED Wall Pack Spec

5 years warranty

140  $\frac{LM}{W}$



IP65

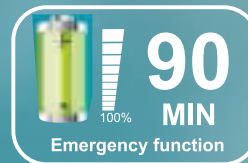
Infrared Sensor, Daylight Sensor



0- 10V Dimmable



Sensing function

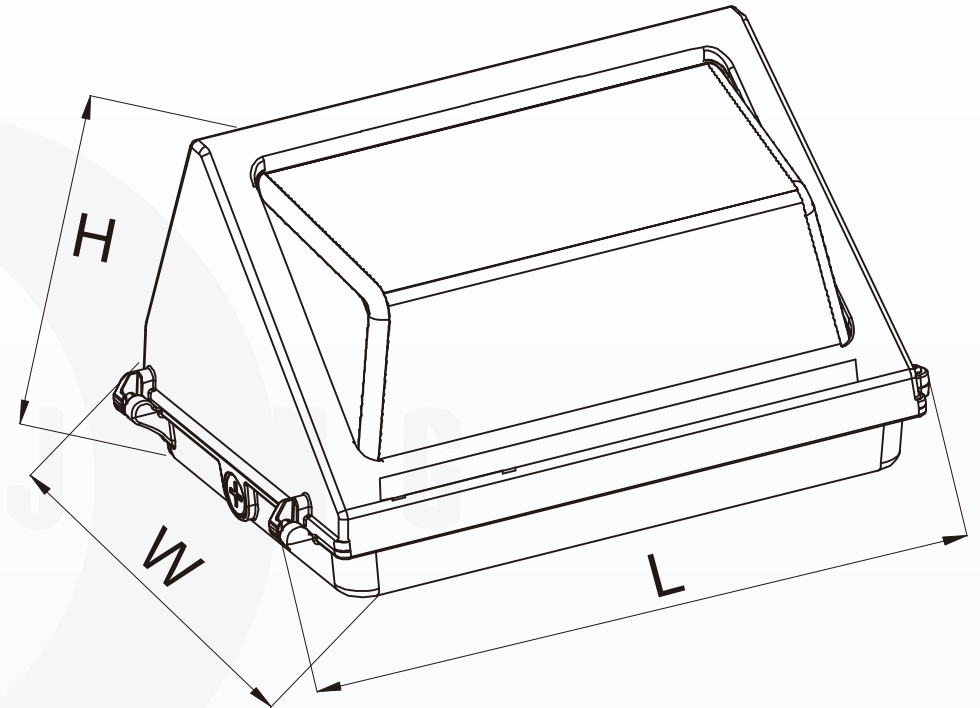


Emergency function

## Product Description

Infrared Sensor, Daylight Sensor
Super Bright LED 2835SMD, CRI>70
Lumen Output: 140LM/W
Non-flicker, Protect your eyes
5 Years Warranty
UL cUL FCC certifications
PF> 0.9
120-277Vac
Dimmable 0-10V

## Product Dimensions



### Dimensions

40W/60W/80W/100W/120W

L14.21\* M9.29\* H7.6inch

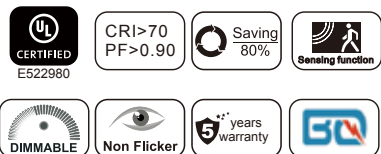
# Ordering information



WPA

Model	Watt (W)	Input Voltage	Lumen	CCT (K)	Size (Inch)	N.W (lbs)	
						PC	Glass
USA-WPJL-40W-BBL[DDM,DDS]	40	120-277Vac	140LM/W	4000K 5000K 5700K	14.21*9.29*7.6	5.07	6.75
USA-WPJL-60W-BBL[DDM,DDS]	60					5.25	6.92
USA-WPJL-80W-BBL[DDM,DDS]	80					5.49	7.17
USA-WPJL-100W-BBL[DDM,DDS]	100					6.72	9.17
USA-WPJL-120W-BBL[DDM,DDS]	120					6.97	9.19

PS:	
DDM	Dimming function
DDS	Dimming+Sensing function
BB=40(4000K),50 (5000K) ,57 (5700K)	



# Packaging Information

Model	Watt (W)	N.W (lbs)		Carton Size (Inch)	QTY/ctn (pcs)	G. W (lbs)		Qty loaded by 20GP	Qty loaded by 40GP	Qty loaded by 40HQ
		PC	Glass			PC	Glass			
USA-WPJL-40W	40	5.07	6.75	15.16*11.42*9.84	1	6.22	7.89	1080	2232	2480
USA-WPJL-60W	60	5.25	6.92		1	6.39	8.07	1080	2232	2480
USA-WPJL-80W	80	5.49	7.17		1	6.64	8.31	1080	2232	2480
USA-WPJL-100W	100	6.72	9.17		1	7.87	10.32	1080	2232	2480
USA-WPJL-120W	120	6.97	9.19		1	8.11	10.34	1080	2232	2480